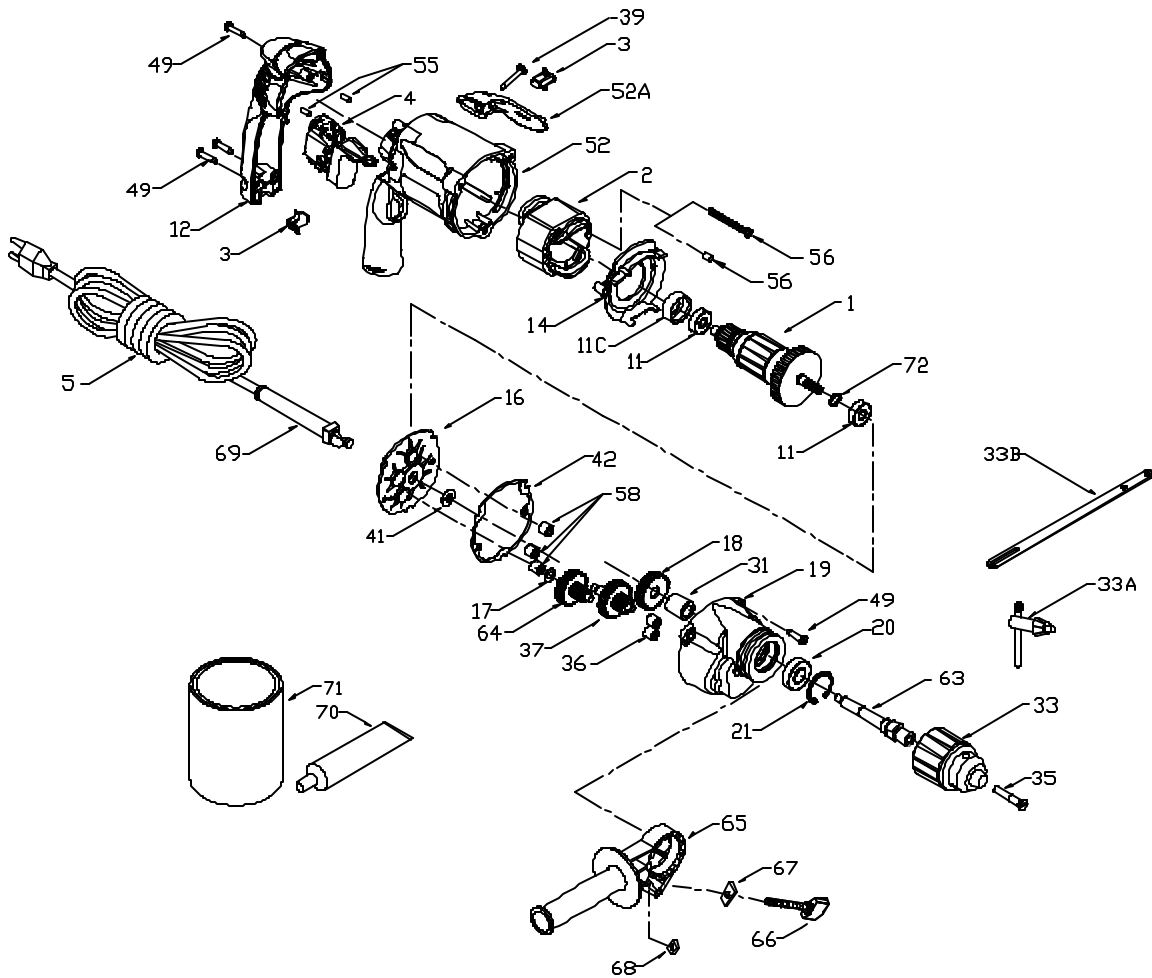


PORTER-CABLE

DRILLS

WARNING: Electrical repairs should only be attempted by trained repairmen. Contact the nearest Porter-Cable Service Center or other competent repair center.

2610
2611
2614
2615



Ref. No.	Part No.	Description
1	905927	Armature, 2610 & 2611
	905926	Armature, 2614 & 2615
2	905928	Field
3	908474	Brush Holder Assy
4	896114	Switch
5	867853	Cordset
11	855284	Bearing
11C	694432	Bearing Mount
12	896105	Handle Cover
14	896106	Baffle
16	905930	Intermediate Plate, Incl.: Ref. 58
17	848741	Washer
18	905942**	Gear, 2610 & 2611, Incl.: Ref. 31, 63
	905943**	Gear, 2614 & 2615, Incl.: Ref. 31, 63
19	905933	Gear Housing, Incl.: Ref. 36, 2610 & 2611
	905934	Gear Housing, Incl.: Ref. 36, 2614 & 2615
20	906152	Bearing
21	859382	Retaining Ring
31	906575	Spacer, 2610 & 2611
	906566	Spacer, 2614 & 2615
33	894954	3/8" Keyless Chuck, 2610
	695170	3/8" Chuck, 2611
	891237	1/2" Keyless Chuck, 2614
	844495	1/2" Chuck, 2615
33A	826226	Chuck Key, 2611
	875134	Chuck Key, 2615
33B	842323	Wrench Holder, 2611

Ref. No.	Part No.	Description
35	865686	Screw
36	693808	Bearing
37	905936	Gear, 2610 & 2611
	905937	Gear, 2614 & 2615
39	872520	Screw
41	896997	Slinger
42	896998	Gasket
49	882189	Screw
52	907252	Motor Housing
52A	896117	Belt Clip
55	899595	Rubber Plug
56	699567	Screw - Current Units
	899595	Plug - Early Units
58	899593	Bearing
63	901076**	Spindle, 2610 & 2611
	901075**	Spindle, 2614 & 2615
64	905938	Gear, 2614 & 2615
65	698650	Aux. Handle, 2614 & 2615
66	698722	Clamp Screw/Knob, 2614 & 2615
67	698652	Clamp Plate, 2614 & 2615
68	884737	Nut, 2614 & 2615
69	810716	Strain Relief
70	878499	Lubricant(5 1/2 oz)
71	879751	Lubricant(4 lbs.)
72	847564	Snap Ring

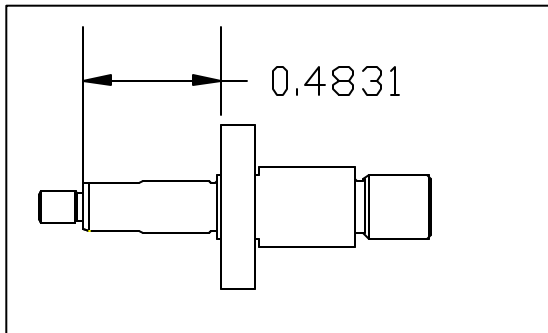
** See Service Notes

2610
2611
2614
2615

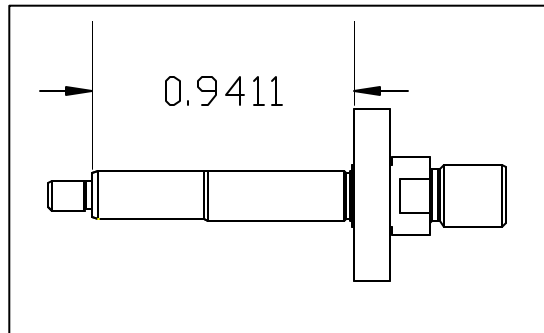
SERVICE NOTES

GEAR, GEAR LOCATING TOOL, & SPINDLE – REFS. 18 & 63

When pressing the Gear, Ref. 18, onto the Spindle Ref. 63, the gear must be pressed to the dimension in the illustrations below. Special Locating Sleeves are available to properly locate the gear during pressing operations.



3/8" Drills



1/2" Drills